

Roll-feed Granulator

SGF-2642E

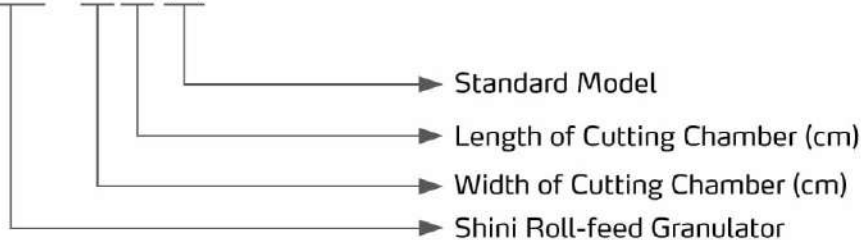


Refer carefully to this manual before operation.

SGF Series

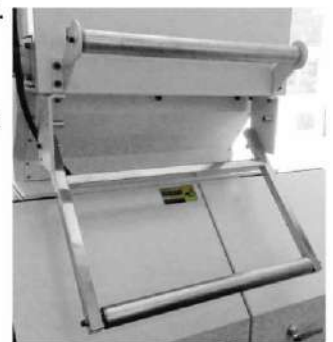
■ Coding Principle

SGF - xx xx (E)



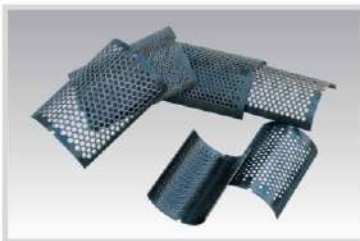
■ Features

- Applicable to process extruded waste films, highly operation safety and compact design.
- Cutters with best cutting angle and adjustable rotating blades.
- Integrated material scrolling devices into one unit can facilitate the granulating work by easily scrolling the material into cutting chamber. Equipped with anti-cut protective device to prevent materials be rolled cut.
- Motor overload protective function.
- React with assembly line or operated by specialized person.
- Attractive and compact design save more space.
- Width adjustable feeding inlet and thickness adjustor designs facilitate the different film granulating applications.
- Scrolling motor has a frequency converter to satisfy different film cutting capacity.
- Cutting chamber is equipped with a cooling water loop to effectively lower the temp. of the chamber so that improve working efficiency and avoid granule powder from melting up.
- Equipped with cyclone dust collector, which can effectively separate regrinds and air and is also convenient for regrinds collection.
- SGF-26E'S adjustable range of feeding speed is 1.9~19m/min (6.2~62feet/min).
- SGF-26'S adjustable range of feeding speed is 5~50m/min (16.4~164feet/min).
- Thickness range of material 0.5~4mm/0.02"~0.16".

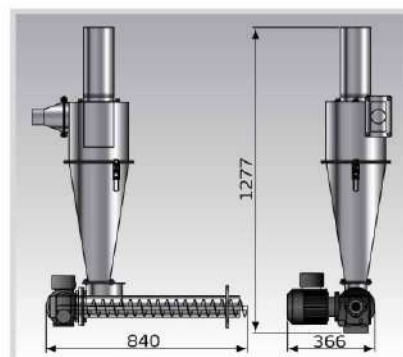


Material Scrolling

■ Options



Special screens with different diameters (Φ 10mm/0.39"、 Φ 12mm/0.47" are optional. Add "SS + screen diameter" at the end of the model code, e.g.: Φ 6mm , add "SS06".

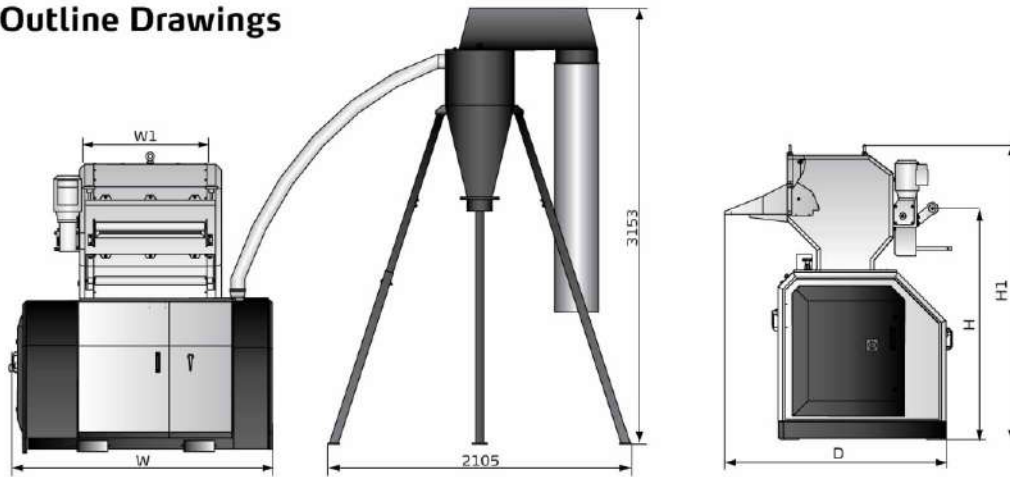


It can option with screw conveying device which is convenient for granulated scraps entering the extruder and instant recycling (only suitable for SGF-E series). Add "AF" at the end of the model code.

■ Application

SGF-26 series are applicable to granulating and recycling plastic films. After pressed toughly by a material scroll, films are sent to cutting chamber to be cut into granules to reuse.

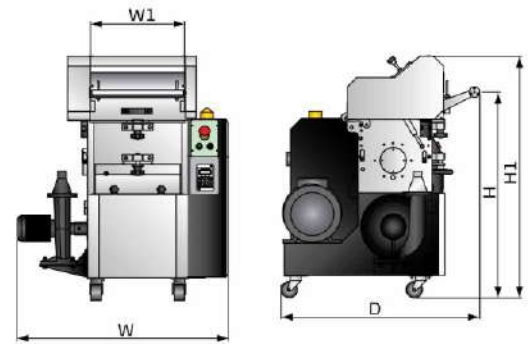
Outline Drawings



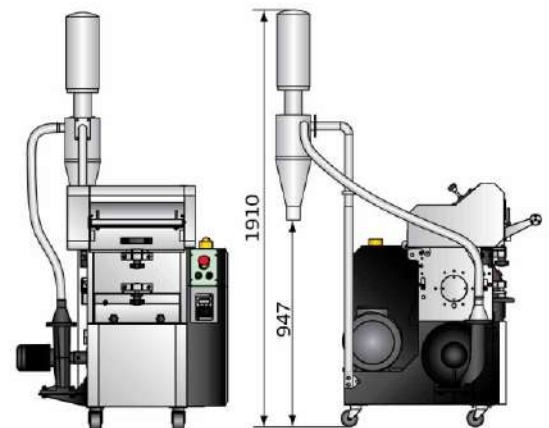
SG-26

Specifications

Model		SGF-2628E	SGF-2642E	SGF-2660	SGF-2690	
Motor Power (kW, 50/60Hz)		4.0 / 4.6	5.5 / 6.3	7.5 / 8.3	15 / 17.3	
Rotating Speed (rpm, 50/60Hz)		300 / 360	300 / 360	410 / 492	410 / 492	
Scrolling Power (kW, 50/60Hz)		0.4 / 0.45	0.4 / 0.45	0.75 / 0.83	0.75 / 0.83	
Conveying Blower Power (kW, 50/60Hz)		0.55(1.1)/ 0.66(1.3)	0.55(1.1)/ 0.66(1.3)	2.2 / 2.44	2.2 / 2.6	
Scrolling Speed (rpm)		*	*	*	*	
Material of Blades		SKD11	SKD11	SKD11	SKD11	
Number of Fixed Blades		2	2	3 × 2	3 × 2	
Number of Rotating Blades		3	3	3 × 2	3 × 2	
Max. Throughput Capacity (kg/hr, 50/60Hz)		30	45	200	300	
Noise Level dB(A)		88 - 93	88 - 93	90 - 95	90 - 95	
Cooling Loop		√	√	√	√	
Dia. of Screen Mesh		Φ8mm	Φ8mm	Φ10mm	Φ10mm	
Special Screens (mm)		○	○	○	○	
Dimensions	H	mm	950	950	1515	1515
		inch	37.4	37.4	59.6	59.6
	H1	mm	1115	1115	1932	1932
		inch	43.9	43.9	76	76
	W	mm	845	1105	1555	1930
		inch	33.3	43.5	61.2	76
	W1	mm	280	420	600	900
		inch	11	16.5	23.6	35.4
	D	mm	855	855	1410	1410
		inch	33.7	33.7	55.5	55.5
	Weight	kg	316	388	-	1570
		lb	697	855	-	3461



SG-26E



Equipped with cyclone dust collector

- Notes: 1) "√" stands for standard, "○" stands for options.
 2) "*" stands for different speed according to the thickness of the film.
 3) SKD11 is material code number of Japanese JIS standard.
 4) Max. capacity of the machine is subject to diameter of screen hole and composition of the material. The listed maximum output is tested continually with PET films, with 1mm/0.04" thickness size.
 5) Noise level will vary with different materials and motor types.
 6) For avoiding plastic to adhibit the blade, all materials should be crushed at normal temperature.
 7) The conveying blower power (1.1/1.3) is the power when machine is optional with screw feeding device
 8) Power supply: 3Φ, 230 / 400 / 460 / 575VAC, 50 / 60Hz.

Shini Group

Addr: No. 23, Minhe St., Shulin Dist.,
New Taipei, Taiwan

Tel: +886 2 2680 9119

Fax: +886 2 2680 9229

Email: shini@shini.com

Factories:

- Taiwan
- Dongguan
- Pinghu
- Ningbo
- Chongqing
- Pune

2017-12-15-04 Copyrights Reserved.

www.shini.com