



## Screenless Granulator

SG-2427N

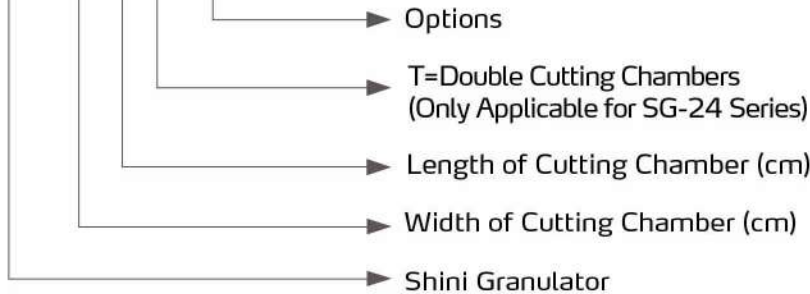


Refer carefully to this manual before operation.

# SG-14/24N/24T

## ■ Coding Principle

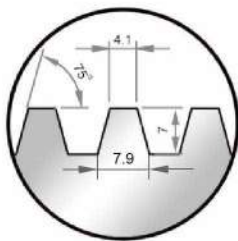
SG - xx xx x - xx



SG-1417

## ■ Features

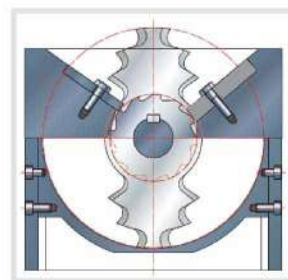
- Adopt globally well-know gear motor.
- SG-24T adopts two sets of a globally well-know gear motor and cutting chambers.
- SG-14/24N series features integrated teeth cutters and cutting blades design. Cutting blades break large spurs into smaller pieces, and teeth cutter bites the material into the desired size with less dust and ready to be reused with virgin material.
- New-type inclined teeth cutter reduces the possibility of stress concentration, then enhance cutter lifespan and reduction in dust.
- SG-14/24T/24N series motor shaft and rotor shaft are connected by shaft coupling thus ensuring convenient motor replacement.
- When motor blockage occurs, the machine will alarm visibly and enable motor to run reversely. It will return to normal operation automatically after the trouble is clear.
- Compact design, small proofprint for easy cleaning and maintenance. Transparent PC feeding hopper.



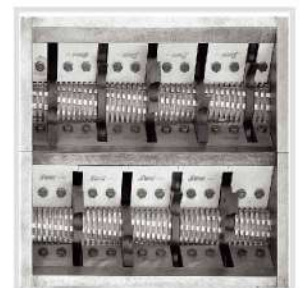
Standard Teeth Cutter  
(only for SG-24N)



SG-2446T

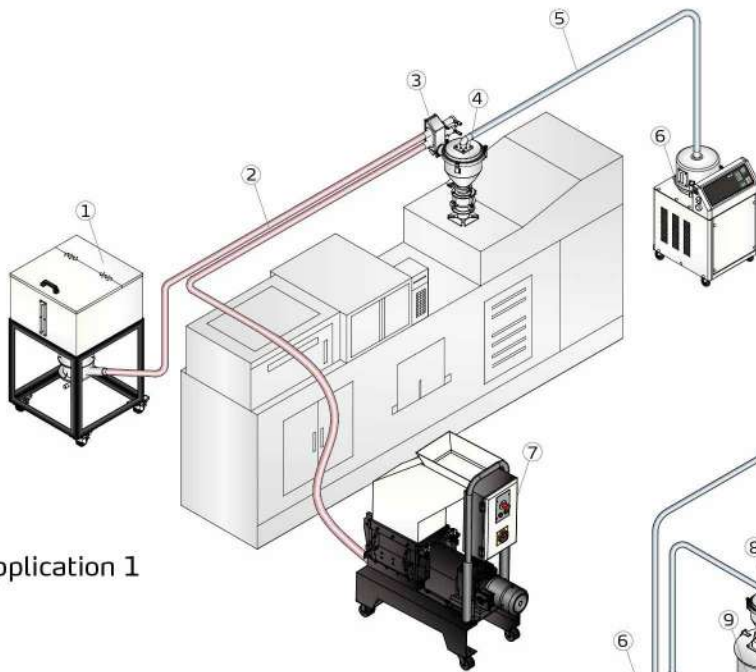


Section View of  
Trapezoid Teeth Cutter

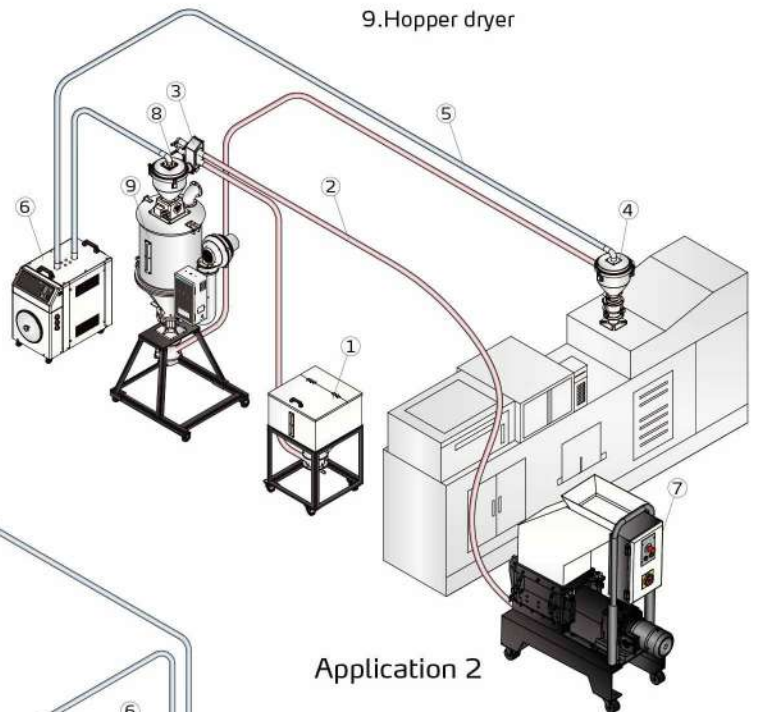


SG-24T  
Double Teeth Cutter

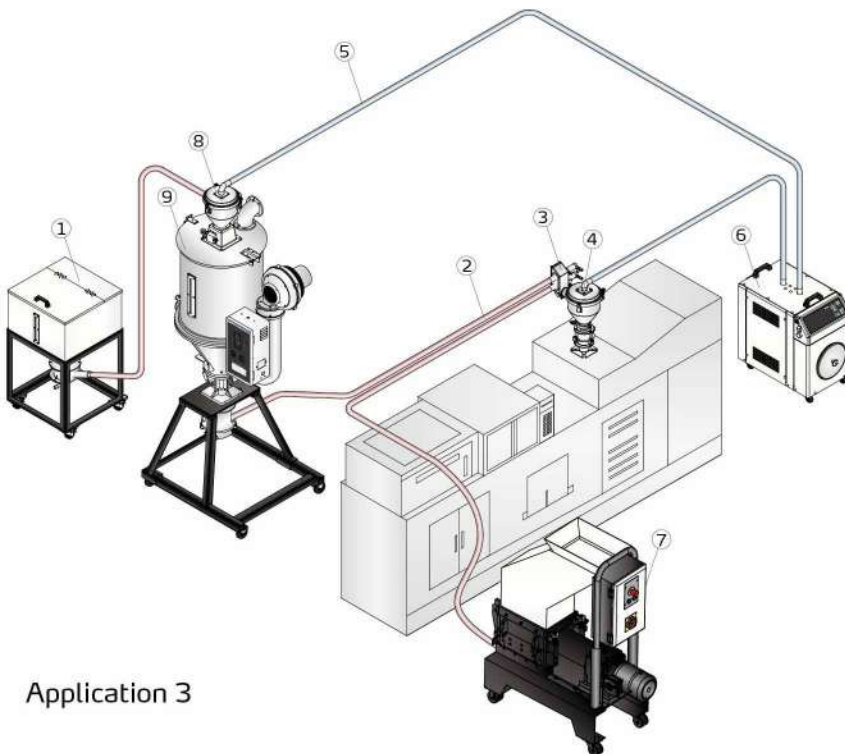
## Application



Application 1



Application 2



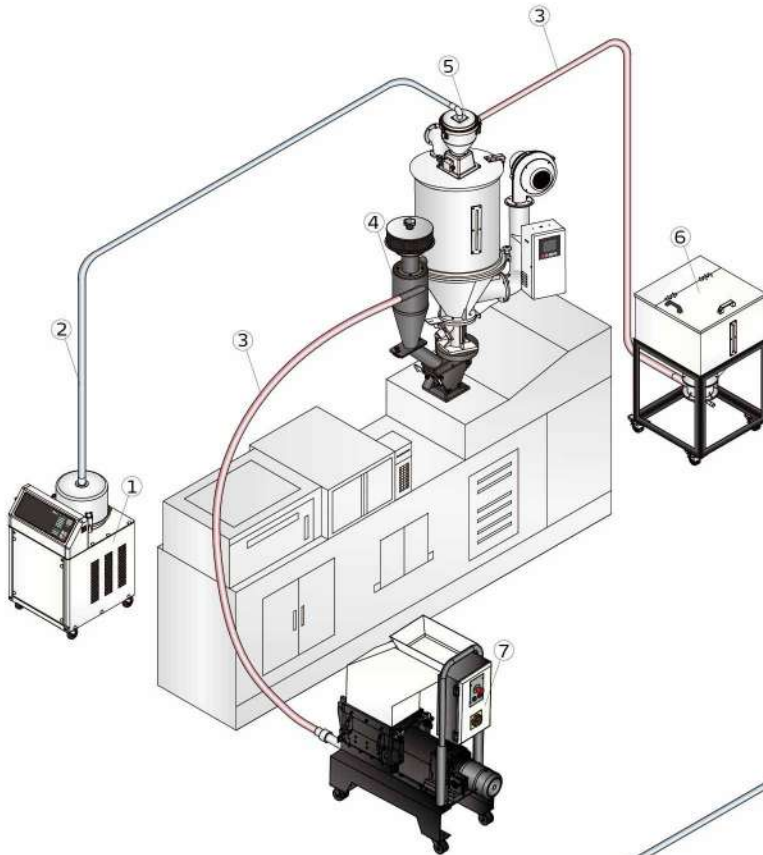
Application 3

1. Material storage tank
2. Material line
3. Proportional valve
4. Photosensor hopper receiver
5. Vacuum line
6. Main vacuum unit
7. Screenless granulator
8. Vacuum hopper receiver
9. Hopper dryer

# SG-14/24N/24T

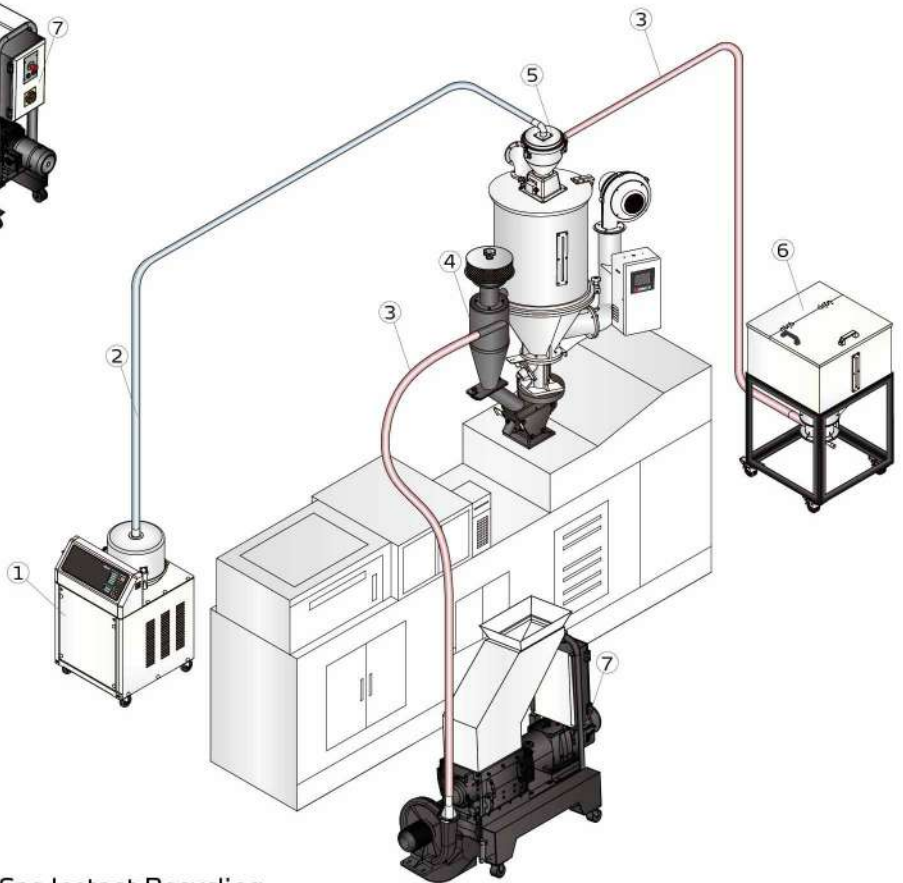
## Options

### 30-Sec Instant Recycling System (Patented Product)



1. Main vacuum unit
2. Vacuum line
3. Material line
4. 30-sec. instant recycling system
5. Vacuum hopper receiver
6. Material tank
7. Screenless granulator

VR Type 30-Sec Instant Recycling



BR Type 30-Sec Instant Recycling

### Regrind Conveying via Blower & Cyclone (BC Type)



This device utilizes conveying blower to convey regrind into the cyclone dust collector to separate the regrind from the air and then the regrind will fall into storage hopper or cloth bag. Applicable to SG-24N/24T series.

### Dust Separator (DS Type)



Dust Separator (DS type) can enhance dust separation with regrind for immediate use. The dust will be kept in filter bag, thus working environment will be maintained clean. This device ensures full use of regrind to avoid material wasting and enhance the economical returns. Applicable to SG-24N/24T series.

### Full-receiver Alarm Device

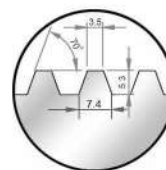
Full-receiver alarm device can help to realize unmanned operation and no materials will be wasted. Whenever the regrind level reaches the motor position, the machine will be forced to stop and be cut off via it is sensor, thus stop the granulator and warn the user by sounding an alarm. add "FAD" at the end of the model code, Applicable to SG-24N/24T series.

### Manual Collection Bin

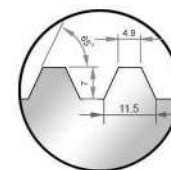
Manual collection bin helps to collect and store regrind. Applicable to SG-24T series.



### Teeth Cutter(Only for SG-24N Series)

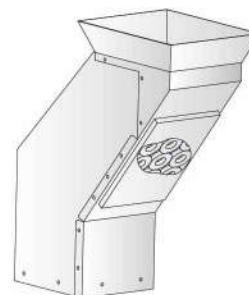


Narrow



Dilated

### Feeding port magnet

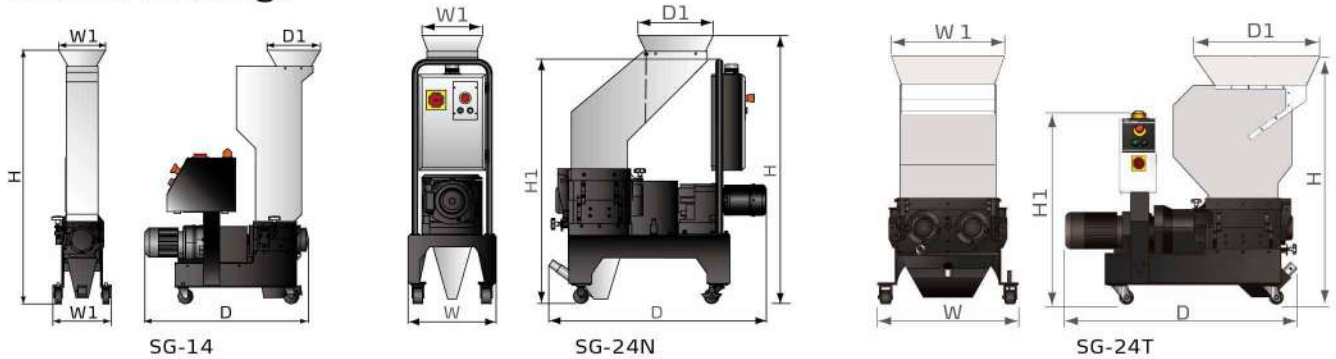


Feeding port magnet: The magnet is added at the feeding port inlet to absorb metal impurities in the materials, which is optional for 24N series and add "FHM" at the end of the model code.

- Stainless steel made feed port and storage tank, add "R" at the end of the model code.

# SG-14/24N/24T

## Outline Drawings



## SG-14/24N/24T Specifications

Model	SG-1411	SG-1417	SG-2417N	SG-2427N	SG-2436N	SG-2446N	SG-2436T	SG-2446T		
Motor Power (kW, 50/60Hz)	0.37/0.45	0.37/0.45	0.75/0.86	0.75/0.86	1.5/1.75	2.2/2.57	2.2x2/2.55x2			
Rotating Speed (rpm, 50/60Hz)	26/32	26/32	27/33	27/33	27/33	27/33	27/33	27/33		
Material of Teeth Cutter	SKD11	SKD11	SKD11	SKD11	SKD11	SKD11	SKD11	SKD11		
Quantity of Staggered Cutter	1	2	1	2	3	4	7	9		
Quantity of Teeth Cutter	2	3	2	3	4	5	/	/		
Quantity of Large Teeth Cutter	/	/	/	/	/	/	7	9		
Quantity of Small Teeth Cutter	/	/	/	/	/	/	2	2		
Cutting Chamber	mm	140 x 110	140 x 175	240 x 175	240 x 270	240 x 365	240 x 460	505 x 365	505 x 460	
	inch	5.5 x 4.3	5.5 x 6.9	9.4 x 6.9	9.4 x 10.6	9.4 x 14.4	9.4 x 18.1	19.9x14.4	19.9x18.1	
Max. Output Capacity (kg/hr, 50/60HZ)	2	3	3.5	6/6.5	8.5/9	11/11.6	20	25		
Noise Level dB(A)	60-68	60-68	80-85	80-85	80-85	80-85	80-85	80-85		
Dimension	H	mm	1080	1080	1370	1370	1400	1410	1360	1360
		inch	42.5	42.5	53.9	53.9	55.1	55.5	53.5	53.5
	H1	mm	/	/	1248	1248	1248	1248	1060	1060
		inch	/	/	49.1	49.1	49.1	49.1	41.7	41.7
	W	mm	290	290	425	425	425	425	773	773
		inch	11.4	11.4	16.7	16.7	16.7	16.7	30.4	30.4
	W1	mm	235	235	308	308	308	308	620	620
		inch	9.3	9.3	12.1	12.1	12.1	12.1	24.4	24.4
	D	mm	740	785	977	1112	1253	1410	1269	1365
		inch	29.1	30.9	38.5	43.8	49.3	55.5	50	53.7
	D1	mm	210	266	289	385	475	546	688	785
		inch	8.3	10.5	11.4	15.2	18.7	21.5	27	30.9
Weight	kg	83	92	215	240	257	330	530	560	
	lb	183	203	474	529	567	728	1168	1235	

Notes: 1) Max. Capacity of the machine is subject to the size and composition of the material.

2) Noise level will varies with different materials and motor types.

3) SKD11 is JIS steel grade.

4) teeth cutter with width of 3mm is standard, and 4mm is optional (SG-14).

Trapezoidal teeth cutter is standard; narrow and dilated one are optional (SG-14N/24T).

5) To avoid plastic from sticking to the blades, all materials should be crushed at normal temperature.

6) Power supply: 3Φ, 230/400/460/575 VAC, 50/60Hz.

We reserve the right to change specifications without prior notice.