

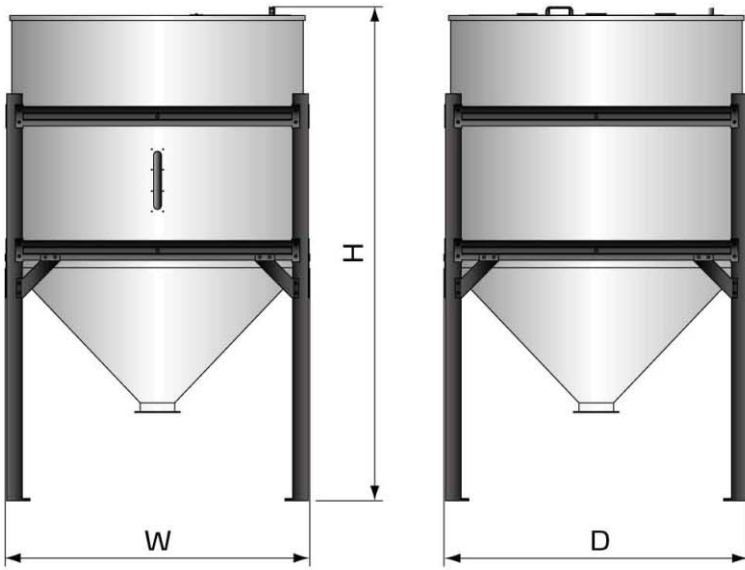


Silo

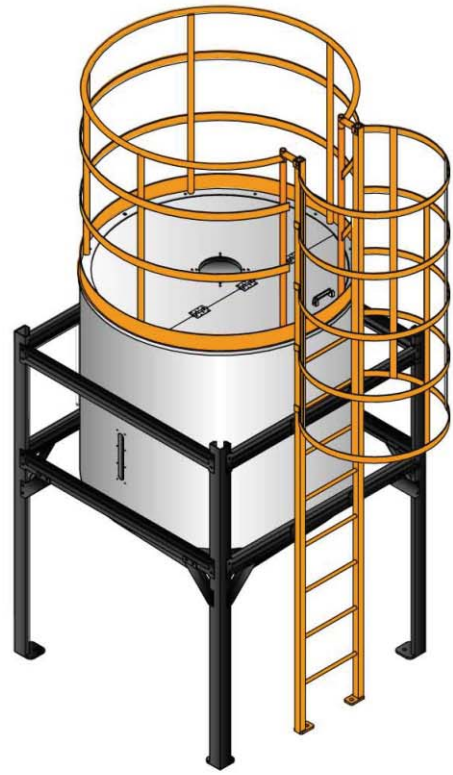
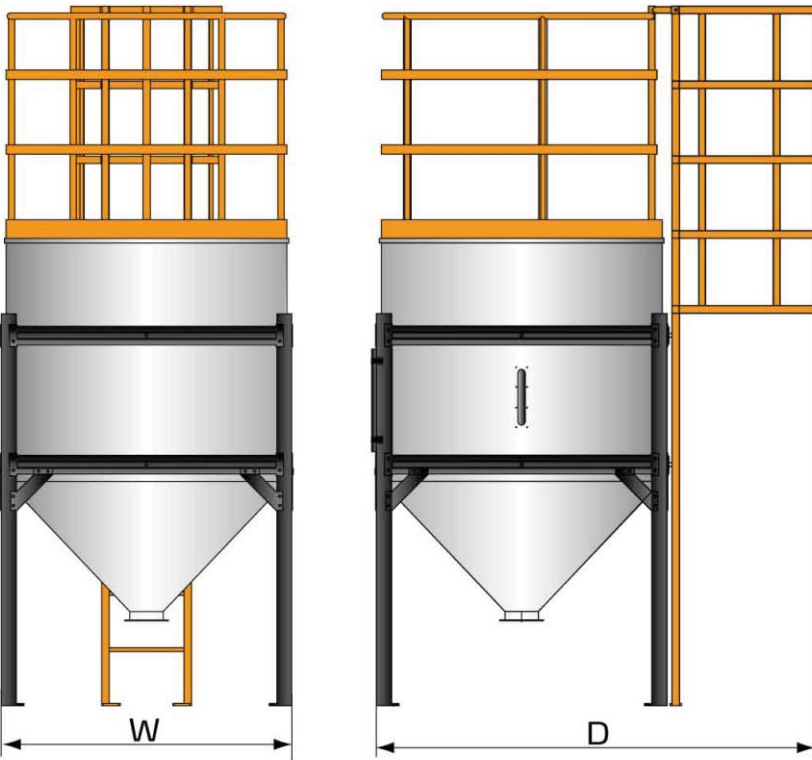
Simple Solution

Silo Series

Outline Drawing



Option With Maintenance Ladder





Specifications

Silo										
Model	Assembly (support frame+barrel)			Material		Barrel	With Option Maintenance Ladder	Components (support frame+barrel+ Maintenance Ladder)		
	W(mm)	D(mm)	H(mm)	Barrel	Support frame	Capacity (L)		W(mm)	D(mm)	H(mm)
1T	1568	1583	2098	SUS201	SPH	2000		1568	1583	3340
1.5T	1568	1583	2498	SUS201	SPH	2750		1568	2366	3738
2T	1568	1583	2948	SUS201	SPH	3500		1568	1583	3818
3T	1568	2366	4190	SUS201	SPH	5000		1568	2366	5060
4T	1992	2008	3418	SUS201	SPH	6500		1992	2008	3959
5T	1992	2796	4652	SUS201	SPH	8000		1992	2796	5193
6T	1992	2008	4508	SUS201	SPH	9500		1992	2796	5743

We reserve the right to change specifications without prior notice.



OBINION b.v.

Tel. +31 (0)85 784 28 33

E-mail: info@obinion.com

Web: www.obinion.com

Shini Group

Addr: No. 23, Minhe St., Shulin Dist.,
New Taipei, Taiwan

Tel: +886 2 2680 9119

Fax: +886 2 2680 9229

Email: shini@shini.com

Factories:

- Taiwan
- Dongguan
- Pinghu
- Ningbo
- Chongqing
- Mumbai

2015-06-15-04 Copyrights Reserved.

www.shini.com