

Single Wire Conveying System

SWCS



Refer carefully to this manual before operation.

■ Feature

Standard configuration

- With up to 12 stations of material conveying, it can greatly lower the cost.
- With lower suction type design and filter with cyclone baffle plate below it mounted in the separating dust collector, it can reduce the load of filter effectively.
- Separating dust collector is convenient for dust cleaning.
- Equipped with faults and motor overload indicators, the main machine can give an alarm immediately.
- All main machines are equipped with vacuum valve to protect the blower.
- With central operation panel, it can centrally set parameters of loading material for each station.
- With distributed bus control, it can save cables and is easy to construct as well as to maintain.
- Adopt communication mode RS485.

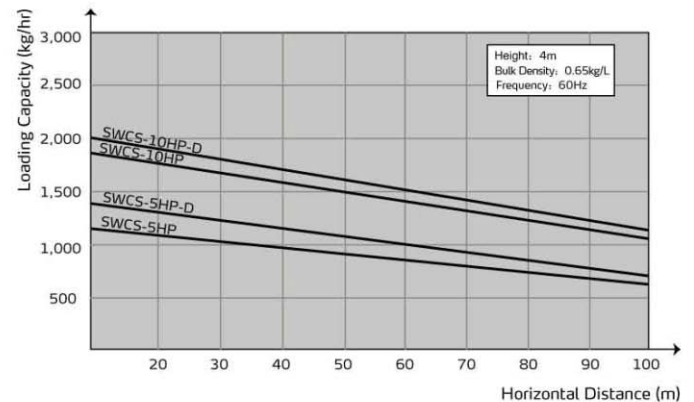


SWHR-U

■ Options

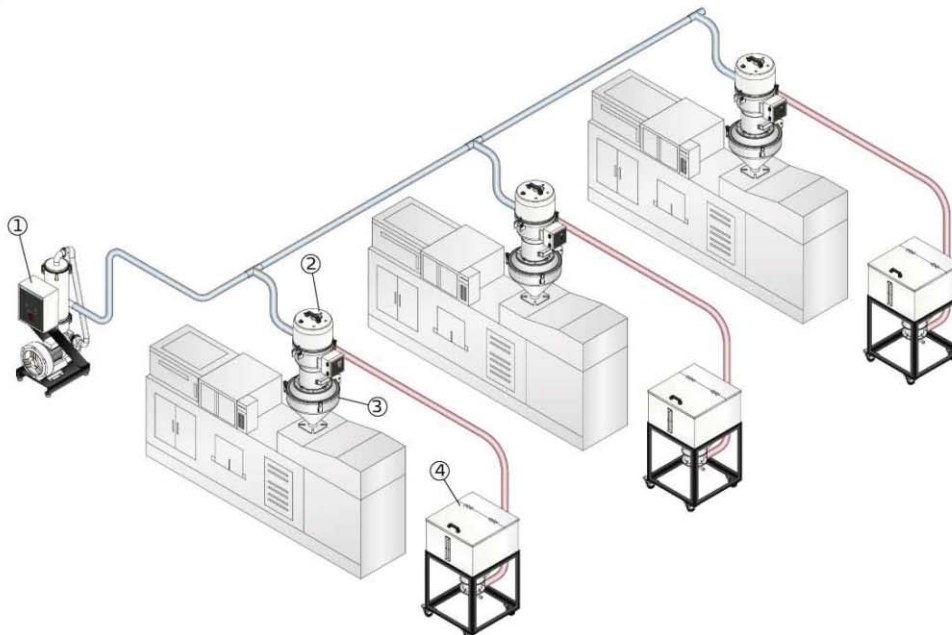
- If there are quite much tiny impurities or recycled materials in the raw materials, the main machine can be equipped with accumulator auto washing device and the machine model should be followed by "A".
- Multi-functional frame HMB-900 whose largest dia. is 900mm is optional.

■ Loading Capacity

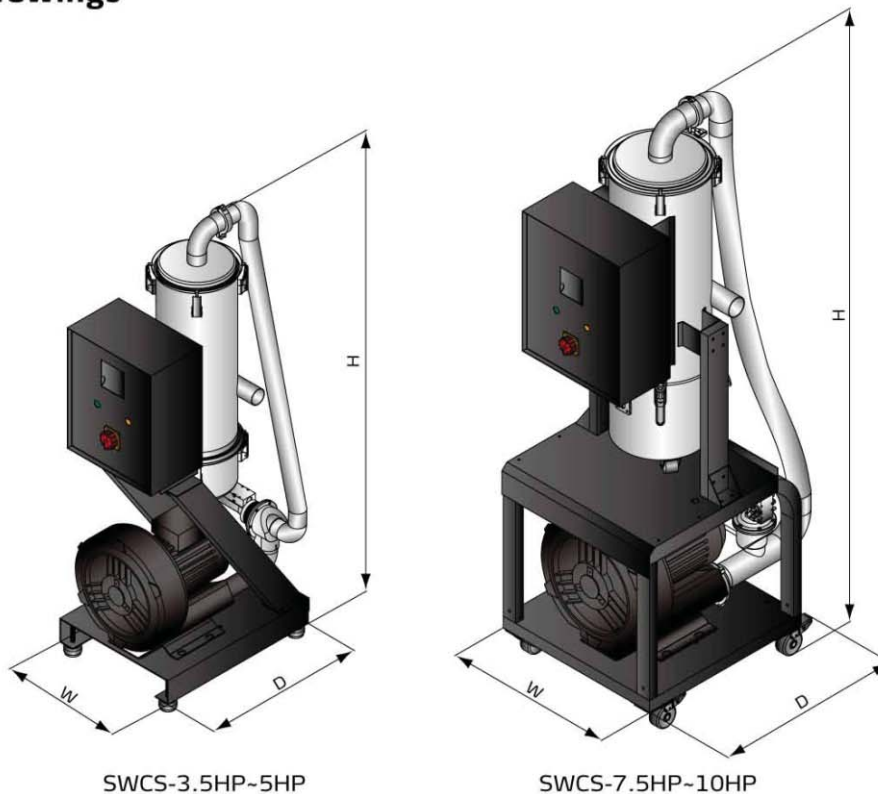


■ Application

1. SWCS
2. SWHR-U
3. SCH-U
4. MST



■ Outline Drawings



■ Specifications

Main Machine				Hopper Receivers				Conveying Pipe Dia (inch)	Air Suction Pipe Dia. (inch)	Conveying Capacity (kg/hr)
Model	Motor Power (kW)	Dimensions (mm) H×W×D	Weight (kg)	Applicable Model	Capacity (L)	Dimensions (mm) H×W×D	Weight (kg)			
SWCS-5HP	3.7	1380×505×615	175	12×SWHR-12U	12	616×335×470	11	1.5	2	1200
				12×SWHR-12U-E		810×335×460	12			
SWCS-5HP-D	3.7	1380×790×515	180	12×SWHR-12U	12	616×335×470	11	1.5	2	1350
				12×SWHR-12U-E		810×335×460	12			
SWCS-10HP	7.5	1380×720×720	185	12×SWHR-36U	36	1036×335×470	14	2	2.5	1800
SWCS-10HP-D	7.5	1380×900×720	192	12×SWHR-36U	36	1036×335×470	14	2	2.5	2000

- 1) "D" stands for double-stage blower.
- 2) Conditions of conveying capacity test: bulk density 0.65kg/L, plastic raw materials granules of dia.3~5 mm, vertical conveying height: 4m, horizontal conveying distance: 5m.
- 3) Power supply: 3Φ, 400VAC, 50Hz.



OBINION b.v.

Tel. +31 (0)85 784 28 33

E-mail: info@obinion.com

Web: www.obinion.com

Shini Group

Addr: No. 23, Minhe St., Shulin Dist.,
New Taipei, Taiwan

Tel: +886 2 2680 9119

Fax: +886 2 2680 9229

Email: shini@shini.com

Factories:

- Taiwan
- Dongguan
- Pinghu
- Ningbo
- Pune

2016-01-15-04 Copyrights Reserved.

www.shini.com