



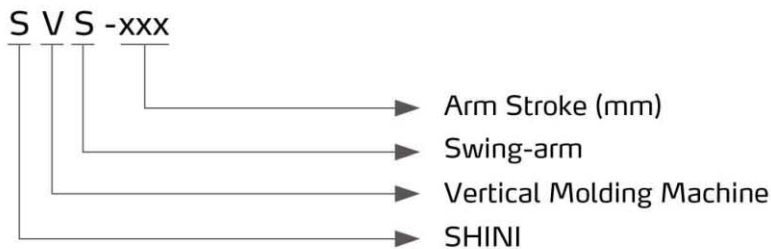
Vertical Molding Machine Swing-arm Robot

SVS-550



Refer carefully to this manual before operation.

■ Coding Principle



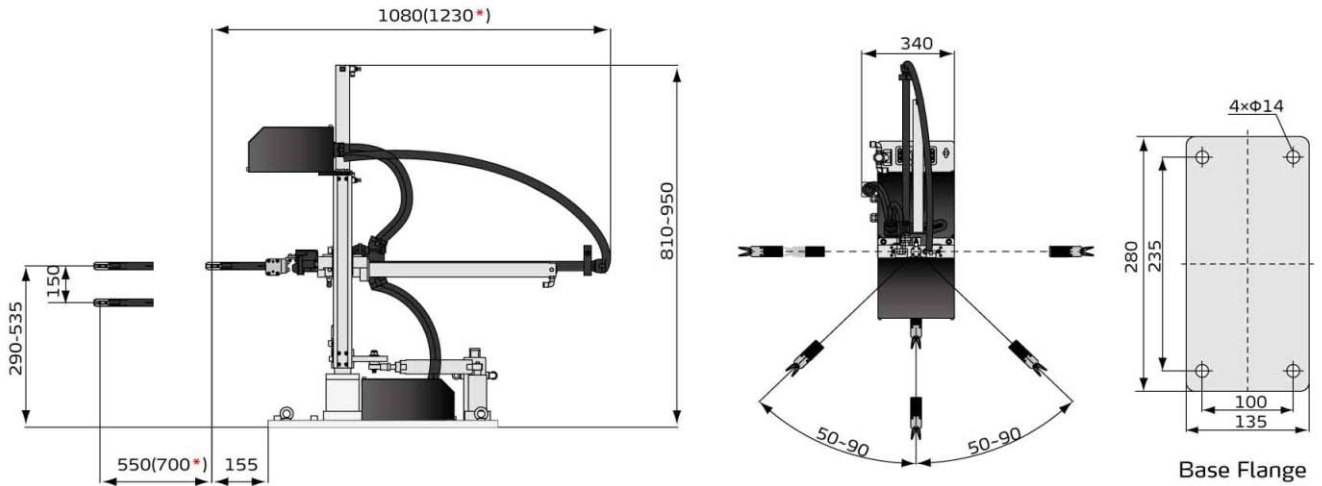
■ Features

- Appearance
Designed with frame-type style, compact and streamlined appearance.
- Safety
Proximity sensors and anti-collision devices are applied to all moving directions in order to provide safety mechanically and electrically.
- Convenience
All limitation device are fixed by sliders, users can adjust them by need, easy to use. Cylinder air flow can be adjusted by filter regulating valve.
- Standardization
All pneumatic accessories, electric accessories, and communication protocols meet the global standards. Interface between injection molding machine and robot is compliance with EUROMAP 12, EUROMAP 67 and SPI.
- User Friendly
Signals can be connected by EUROMAP push-pull connector, easy to plug-in and plug-out. Reserved 4 extra I/O pins for other applications.
- Intelligence
Dialogic hand controller supports 3 languages, including Traditional Chinese, Simplified Chinese and English. System includes 8 standards programs and 50 sets teach programs which can store mold processing conditions and data. The controller also have self-diagnosis function.

■ Application

The SVS series robot is designed for rapid and precise removal of sprue and runner from vertical molding machine, and place them into granulator for recycling.

Outline Drawings



Notes: " * " stands for size, only refer to SVS-700.

Specifications

Model	SVS-550	SVS-700
IMM(ton)	50~150	100~200
Vertical Stroke(mm)	0~150	0~150
Arm Stroke(mm)	0~550	0~700
Swing Angle(deg)	50~90	50~90
Wrist Angle(deg)	180	180
Max Load (with tool)(kg)	0.5	0.5
Min Pick-out Time(sec)	0.8	0.9
Min Cycle Time(sec)	3	3.2
Max Air Consumption(L)	12	14.5
Power Rating(W)	30	30
Rated Current(A)	0.5	0.5
Air Pressure(bar)	4~6	4~6
Weight(kg)	55	57
Dimensions (W×H×D) (mm)	340×810×1080	340×810×1230

Notes: 1) "EM12" stands for EUROMAP 12 communication interface.
 "EM67" stands for EUROMAP 67 communication interface.
 2) Power supply requirement: 1Φ, 200~240V, 50/60Hz.

We reserve the right to change the specifications without prior notice.



OBINION b.v.

Tel. +31 (0)85 784 28 33
E-mail: info@obinion.com
Web: www.obinion.com

Shini Group

Addr: No. 23, Minhe St., Shulin Dist.,
New Taipei, Taiwan

Tel: +886 2 2680 9119

Fax: +886 2 2680 9229

Email: shini@shini.com

Factories:

- Taiwan
- Dongguan
- Pinghu
- Ningbo
- Chongqing
- Pune

2016-04-15-04 Copyrights Reserved.

www.shini.com